

CITY PLANNING PROJECT

Press Conference (3/15/18)

****WE ALSO HAVE A SUPREME COURT****

At the previous press conference, we were proposed with questions that at the time had no answer. So I am here to answer those questions and to move forward. (If you have any questions please proceed to ask them at the end of the conference)

The first question being, “How much power does the Prime Minister have?”. The Prime Minister sits parallel to the President in terms of power, meaning that even though the Prime Minister elects the President, the people have the power to impeach either the Prime Minister or the President. (BTDUBS:PM=Legislative; P=Executive) The Prime Minister as previously stated will be elected solely by the majority vote of the people.

Another question that was stated is, “What pool of people does the President come from?” The pool of candidates for the President come from people that contain the following requirements, “Kingston United Legal citizen and 30 years of age”. The role of President is preferred to contain the following attributes, ‘previous political experience, leadership qualities, and a well known public voice’.

The third question that arose is, “What is our cabinet of officials?”. The cabinet is up for change, however the following positions are held as follows: The Prime Minister: Noah Lamb, The President: Jaden Lamar, (SECRETARY OF THE PUBLIC: Kaitlyn Miller) (This position is not one known in America, however it is a position that oversees the majority of offices in Kingston United, some are (but not limited to), Labor, Commerce, Agriculture, Energy, and Education. Press Secretary: Uchenna Godwin (me), Senator: Elkanah Taye, and Lastly Secretary of the Treasury: Nialah Carr.

The fourth question, which is somewhat redundant, “What is Governor Lamb’s position in this government, if it isn’t Governor?”. To rewire the word Governor, you would be able to see that outside of America, it is simply the head of a public institution. So even though Governor Lamb may be seen as Prime Minister, he is also known as the Governor.

Lastly, I would like to mention, that because the government is so widely broad, it would take an abundant amount of time to determine all the small non generic details. However I believe this will have clearly answered any questions that were mentioned at the previous press conference.

Next up on our list, is the proposal of our city map. Before presenting and explaining this map, I would like to explain the development of it. The governor received a correspondence from the Invisible Hand guiding us to create a map of our city for approval from the public. From there, the Governor and the Kingston United cabinet began brainstorming.

CITY PLANNING PROJECT

Press Conference (3/15/18)

The majority of the brainstorming focused on architectural designs that would have a meaning and a purpose. One key idea mentioned by Governor Lamb is the idea that symmetry and circles are appealing to the eye and would attract the eye of the public. So we use this key idea in the designing of the city. Inputs from the cabinet led to the creation of this design, The design of the map is a very generic idea that we plan on implementing throughout the city, and thus we have Kingston United...

****Present Model/City MAP**

So the first thing I believe catches the eye is the 8 symmetric gray buildings. These buildings represent major corporations that drive the economy of the city. These corporations could be Kingston United Power, Kingston United Water, etc. These buildings are subject to change to fulfill the needs of the business however, the symmetry is intended to stay.

The green circle in the middle is a representation of a public park, and it is placed in the middle because of that fact that we intend on preserving nature, even in a futuristic and modern city. This park will be open to everyone, and will be upkept by laborers of the government. This park will be named after Secretary of Public, Kaitlyn Miller, as Miller Park. The park will demonstrate how she serves the public for the prosperity, well-being, and equality of our citizens.

One other key detail is the color of the streets, Gold. Gold resembles prosperity and wealth in our nation/city. However, there are some engineering/economic issues with this idea. We will use some material to resemble that of gold. **The streets will be well maintained by government laborers** (the need for human input for industry is EVERYWHERE).

One most likely overlooked detail, is the entrances/exits to the city. There is an entrance from each side to resemble the functionality of the city. With intentions of having little to no traffic, we designed a 8 way traffic design, which is the most effective when considering travel. This also dignifies the city as being the center of trade from other cities because the other cities all traveling to a central location.

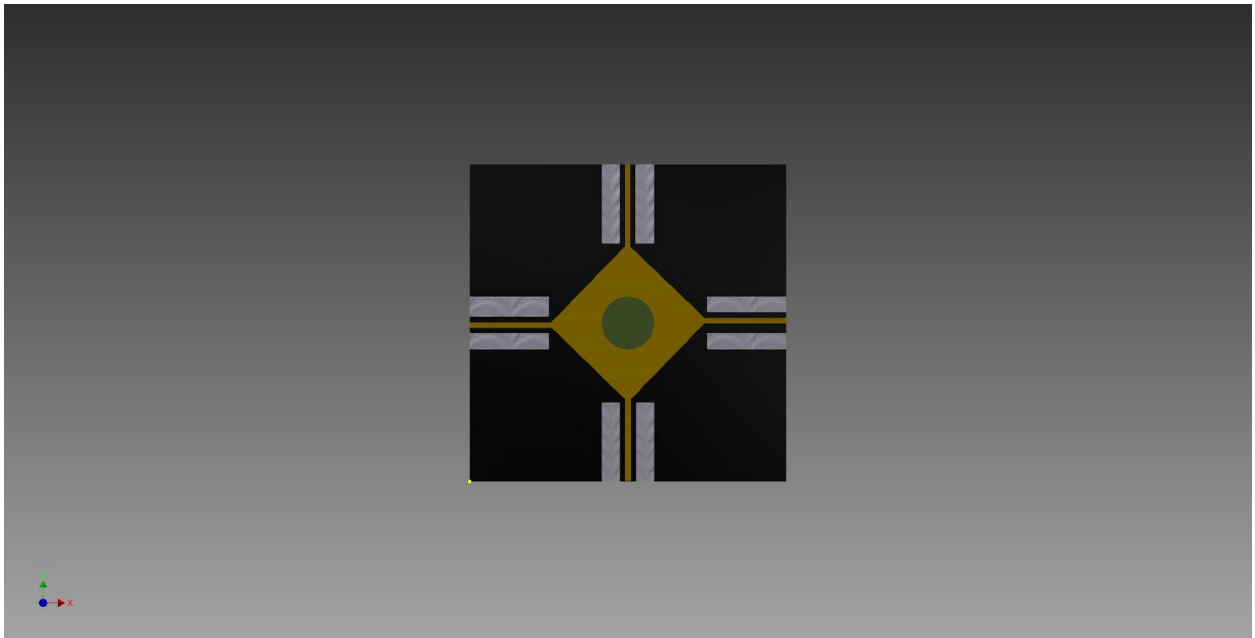
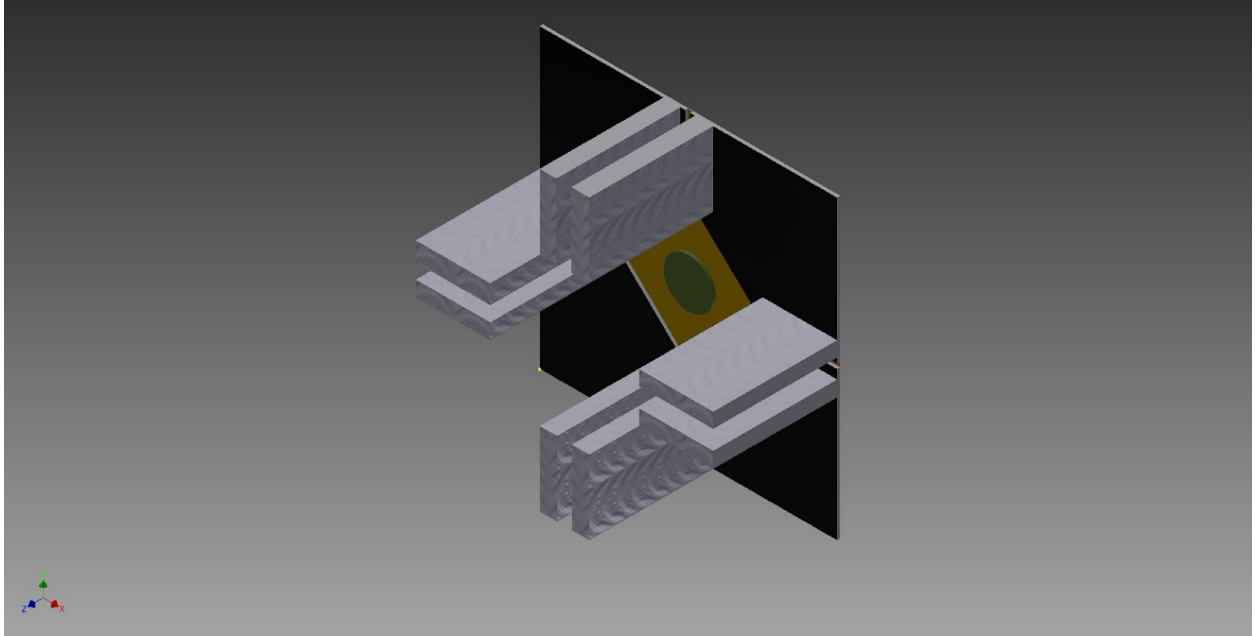
As previously mentioned, this is a very rough brainstorm, the more specific details will be later designed with even more planning.

The floor is now open for questions, (For any difficult questions, suggest that they ask at the next conference, or inform that there question is too specific and should be generalized).

CITY PLANNING PROJECT

Press Conference (3/15/18)

GOOD LUCK UCHENNA :)



CITY PLANNING PROJECT

Press Conference (3/15/18)



Kingston United